



FEATURES :

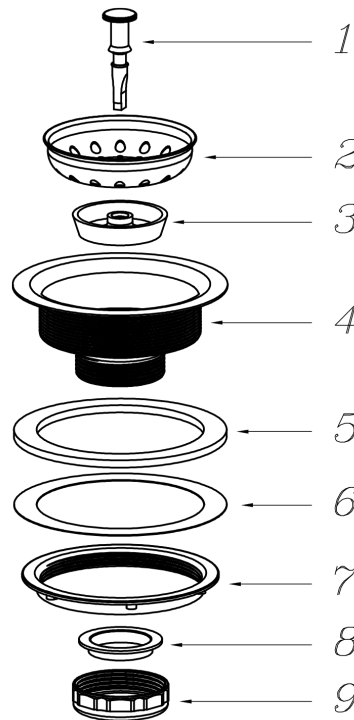
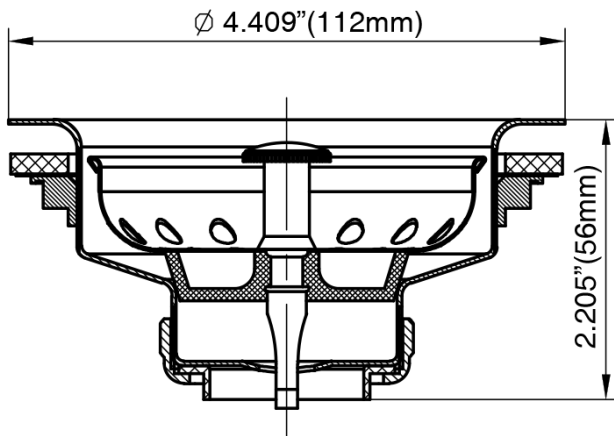
Fits 3 1/2" to 4" Opening

Polished Stainless Steel Body and Basket

Rubber Stopper w/Fixed Chromed Plastic Post

Diecast Locknut

With Rubber Gasket



No.	Part Name	Material
1	Post	ABS, CP
2	Basket	SS430
3	Stopper	Rubber
4	Body	SS430
5	Gasket	Rubber
6	Friction Washer	Paper
7	Lock Nut	Zinc
8	Tailpiece Washer	LDPE
9	Slip Nut	Zinc

Cross Reference			
DB	11	KEENEY	1431SSBX
JSC	S14001	ZURN	ZP100-SS
PROFLO	PF1431SS	MATCO NORCA	SS-100



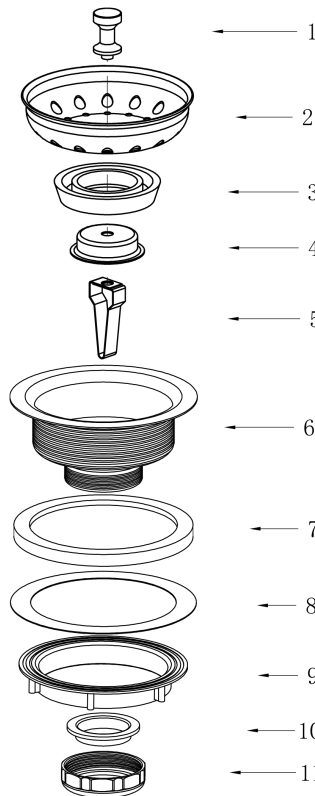
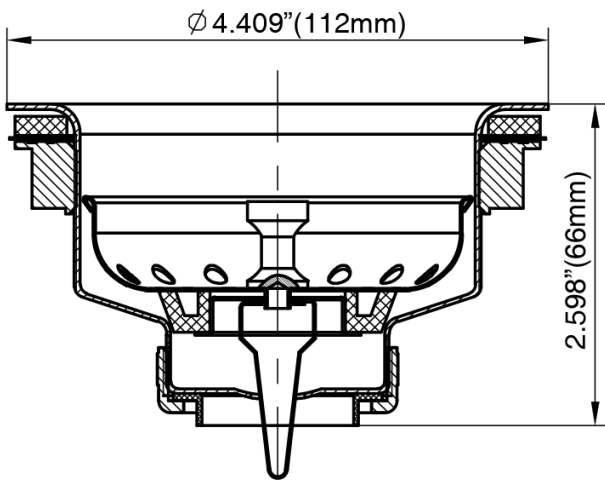
FEATURES :

Fits 3 1/2" to 4" Opening

Polished Stainless Steel Body and Basket

Rubber Stopper w/Spring Type Chromed Brass Post
Heavy Duty Locknut

Extra Thick Rubber Gasket



No.	Part Name	Material
1	Post	Brass, CP
2	Basket	SS430
3	Stopper	Rubber
4	Gasket	Stainless Steel
5	Spring	Stainless Steel
6	Body	SS430
7	Gasket	Rubber
8	Friction Washer	Paper
9	Lock Nut	Zinc
10	Tailpiece Washer	LDPE
11	Slip Nut	Zinc

Cross Reference			
DB	6	KEENEY	1437SS
JSC	S14606	ZURN	ZP200-SS
PROFLO	PF1437SS		



FEATURES :

Fits 3 1/2" to 4" Opening

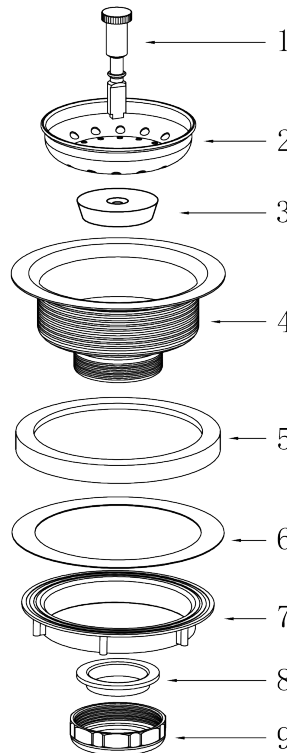
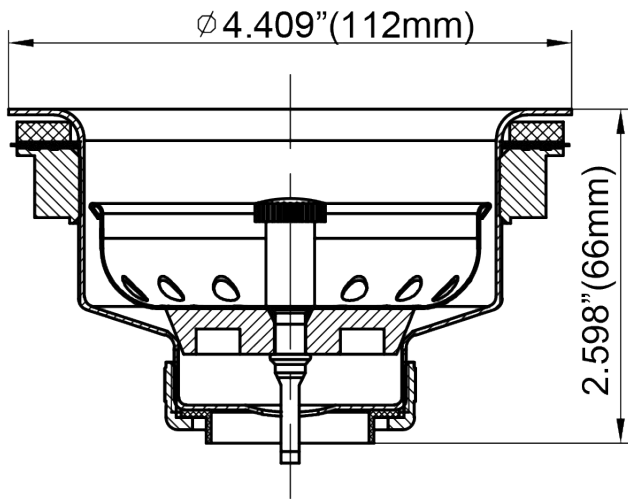
Polished Chrome Heavy Duty Brass Body
w/Stainless Steel Basket

Rubber Stopper w/Fixed Chromed Metal Post

Heavy Duty Lock Nut

Extra Thick Rubber Gaske

Machine Cut Threads



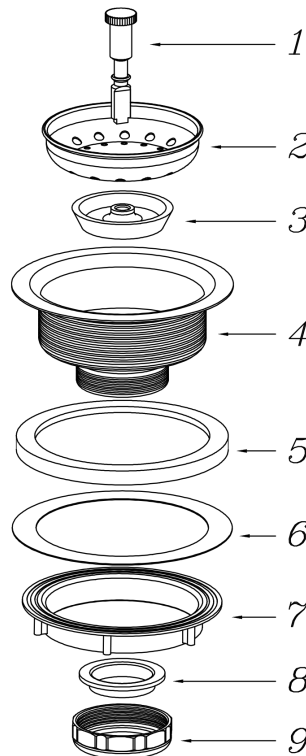
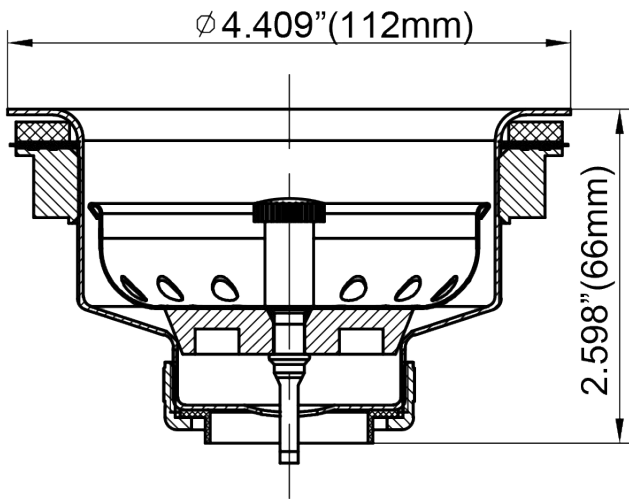
No.	Part Name	Material
1	Post	Zinc, CP
2	Basket	SS430
3	Stopper	Rubber
4	Body	Brass, CP
5	Gasket	Rubber
6	Friction Washer	Paper
7	Lock Nut	Zinc
8	Tailpiece Washer	TPR
9	Slip Nut	Zinc

Cross Reference			
DB	L7	KEENEY	2433PC
JSC	S14250	ZURN	ZSS250-PC
PROFLO	PF250PC	MATCO NORCA	SS-125



FEATURES :

- Fits 3 1/2" to 4" Opening
- Polished Chrome Brass Body w/Stainless Steel Basket
- Rubber Stopper w/Fixed Chromed Metal Post
- Heavy Duty Lock Nut
- Extra Thick Rubber Gasket



No.	Part Name	Material
1	Post	Zinc, CP
2	Basket	SS430
3	Stopper	Rubber
4	Body	Brass, CP
5	Gasket	Rubber
6	Friction Washer	Paper
7	Lock Nut	Zinc
8	Tailpiece Washer	LDPE
9	Slip Nut	Zinc

Cross Reference			
DB	16	KEENEY	2431NPC



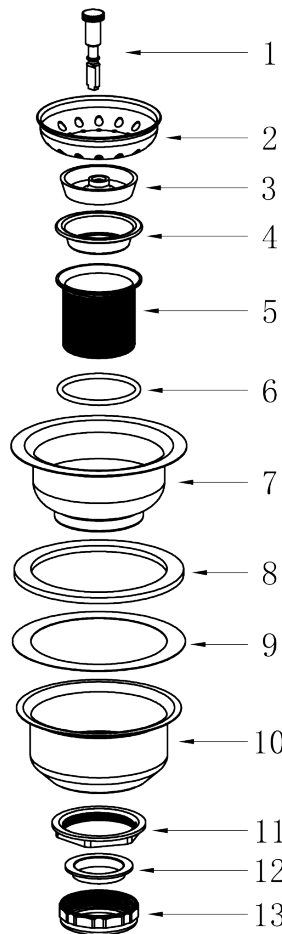
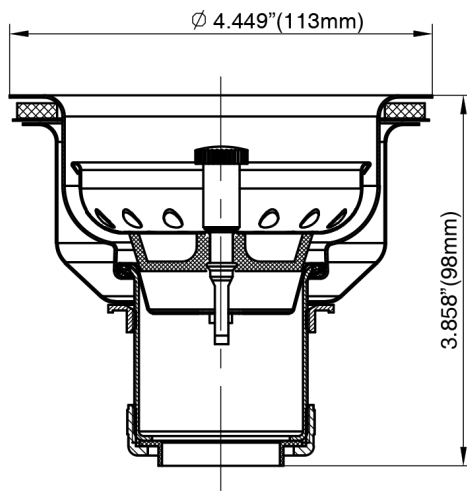
FEATURES :

Fits 3 1/2" to 4" Opening

Polished Stainless Steel Body and Basket

Deep Locking Cup

Rubber Stopper w/Fixed Chromed Metal Post



No.	Part Name	Material
1	Post	Zinc, CP
2	Basket	SS430
3	Stopper	Rubber
4	Gasket	Stainless Steel
5	Shank	Stainless Steel
6	Seal Ring	Rubber
7	Body	SS430
8	Gasket	Rubber
9	Friction Washer	Paper
10	Cup	Galvanized Steel
11	Lock Nut	Zinc
12	Tailpiece Washer	PE
13	Slip Nut	Zinc

Cross Reference			
DB	18	KEENEY	1432SS
JSC	S14004	ZURN	ZSS3000B-SS
PROFLO	PF1432SS	MATCO NORCA	SS-112



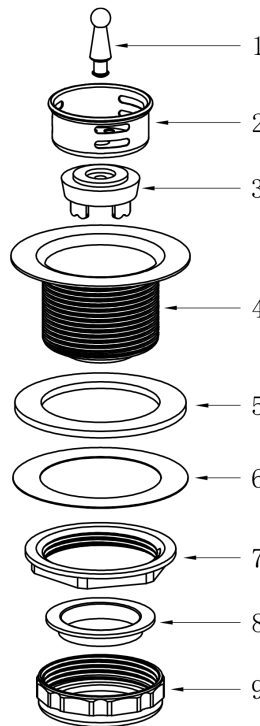
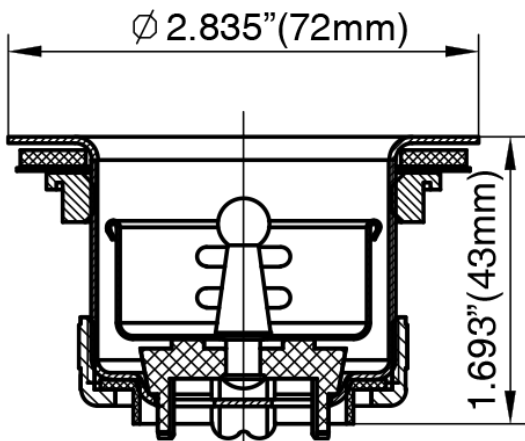
FEATURES :

Fits 2" to 2 1/2" Opening

Polished Stainless Steel Body and Basket

Rubber Stopper w/Chromed Metal Post

Diecast Metal Nuts



No.	Part Name	Material
1	Post	Zinc, CP
2	Basket	SS430
3	Stopper	Rubber
4	Body	SS430
5	Gasket	Rubber
6	Friction Washer	Paper
7	Lock Nut	Zinc
8	Tailpiece Washer	LDPE
9	Slip Nut	Zinc

Cross Reference			
DB	3784	KEENEY	878PC
JSC	B02050	ZURN	ZR426B-SS
PROFLO	PF83SS	MATCO NORCA	SS-600