

gemline

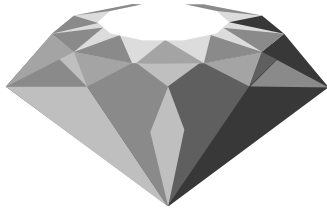
Stainless Steel Sinks



gemline

Made in the U.S.A.





Stainless Steel Sinks

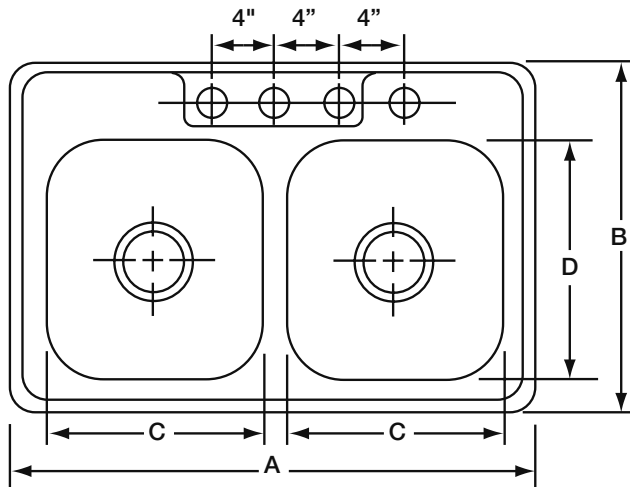
GL332273
GL332274

33X22X7 DBL BOWL SINK DI 22GA 3HL SS
33X22X7 DBL BOWL SINK DI 22GA 4HL SS

SINK DIMENSIONS (INCHES)*

Dimensions	Overall		Inside Bowl			Cutout in Countertop (1-1/2" (38mm) Radius Corners)	No. of 1-1/2" (38mm) Dia. Faucet Holes 4" (102mm) Center	Minimum Cabinet Size	
	L	W	L	W	D				L
33x22	A	B	C	D	E	L	W	3 or 4	36 (914mm)
	33 (838mm)	22 (559mm)	14 (356mm)	15-3/4 (400mm)	7-1/16 (181mm)	32-3/8 (822mm)	21-3/8 (543mm)		

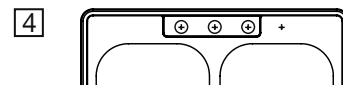
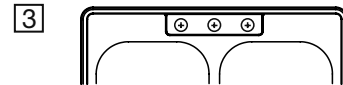
*Length is left to right. Width is front to back.



Bowl Depth is E

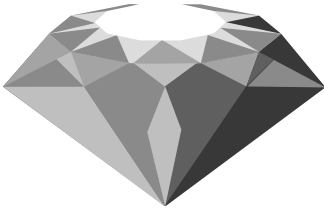
Hole Drilling Configurations

1-1/2" (38mm) Diameter Faucet Holes on 4" (102mm) Centers



gemline





Stainless Steel Sinks

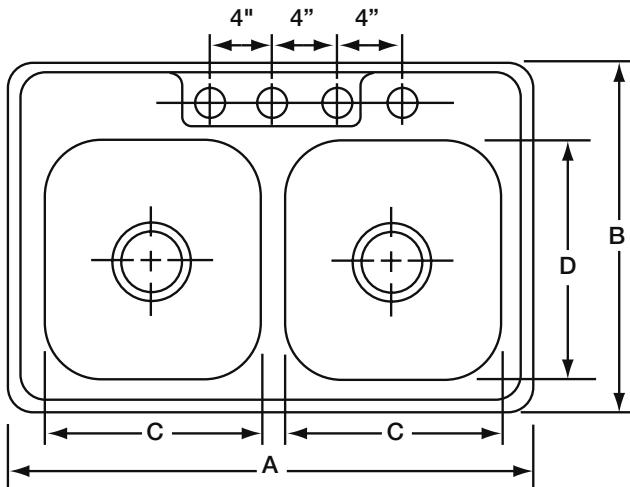
GL332283
GL332284

33X22X8 DBL BOWL SINK DI 20GA 3HL SS
33X22X8 DBL BOWL SINK DI 20GA 4HL SS

SINK DIMENSIONS (INCHES)*

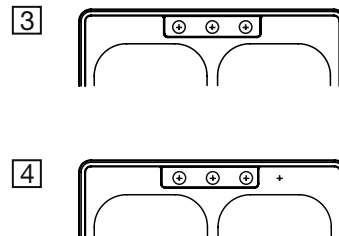
Dimensions	Overall		Inside Bowl			Cutout in Countertop (1-1/2" (38mm) Radius Corners)		No. of 1-1/2" (38mm) Dia. Faucet Holes 4" (102mm) Center	Minimum Cabinet Size
	L	W	L	W	D	L	W		
33x22	A	B	C	D	E	L	W	3 or 4	36 (914mm)
	33 (838mm)	22 (559mm)	14 (356mm)	15-3/4 (400mm)	8-1/16 (206mm)	32-3/8 (822mm)	21-3/8 (543mm)		

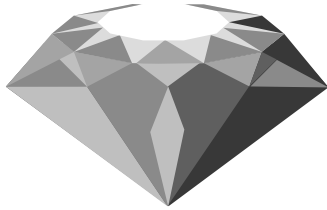
*Length is left to right. Width is front to back.



Bowl Depth is E

Hole Drilling Configurations
1-1/2" (38mm) Diameter Faucet Holes on 4" (102mm) Centers





Stainless Steel Sinks

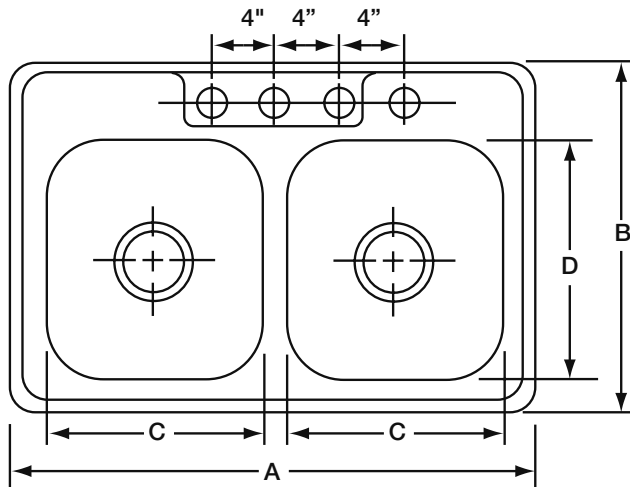
GL332263
GL332264

33X22X6 DBL BOWL SINK DI 23GA 3HL SS
33X22X6 DBL BOWL SINK DI 23GA 4HL SS

SINK DIMENSIONS (INCHES)*

Dimensions	Overall		Inside Bowl			Cutout in Countertop (1-1/2" (38mm) Radius Corners)	No. of 1-1/2" (38mm) Dia. Faucet Holes 4" (102mm) Center	Minimum Cabinet Size	
	L	W	L	W	D				L
33x22	A	B	C	D	E	L	W	3 or 4	36 (914mm)
	33 (838mm)	22 (559mm)	14 (356mm)	15-3/4 (400mm)	6-1/16 (154 mm)	32-3/8 (822mm)	21-3/8 (543mm)		

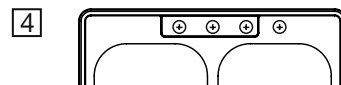
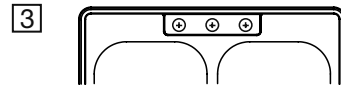
*Length is left to right. Width is front to back.



Bowl Depth is E

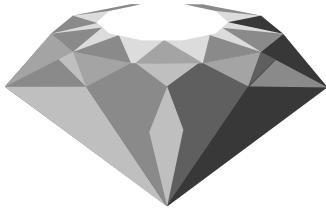
Hole Drilling Configurations

1-1/2" (38mm) Diameter Faucet Holes on 4" (102mm) Centers



gemline





Stainless Steel Sinks

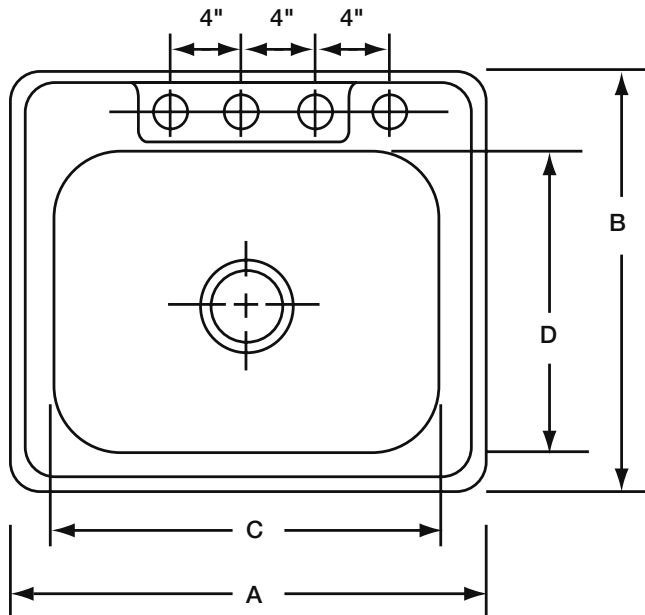
GL252263
GL252264

25X22X6 SGL BOWL SINK DI 23GA 3HL SS
25X22X6 SGL BOWL SINK DI 23GA 4HL SS

SINK DIMENSIONS (INCHES)*

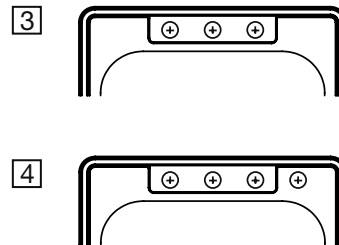
Dimensions	Overall		Inside Bowl			Cutout in Countertop (1-1/2" (38mm) Radius Corners)	No. of 1-1/2" (38mm) Dia. Faucet Holes 4" (102mm) Center	Minimum Cabinet Size	
	L	W	L	W	D				L
25x22	A	B	C	D	E	L	W	3 or 4	30 (762mm)
	25 (635mm)	22 (559mm)	21 (533mm)	15-3/4 (533mm)	6 (152 mm)	24-3/8 (619mm)	21-3/8 (543mm)		

*Length is left to right. Width is front to back.



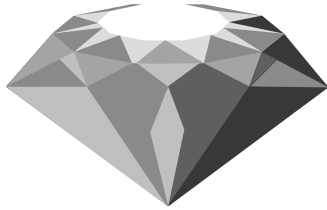
Bowl Depth is E

Hole Drilling Configurations
1-1/2" (38mm) Diameter Faucet Holes on 4" (102mm) Centers



gemline





Stainless Steel Sinks

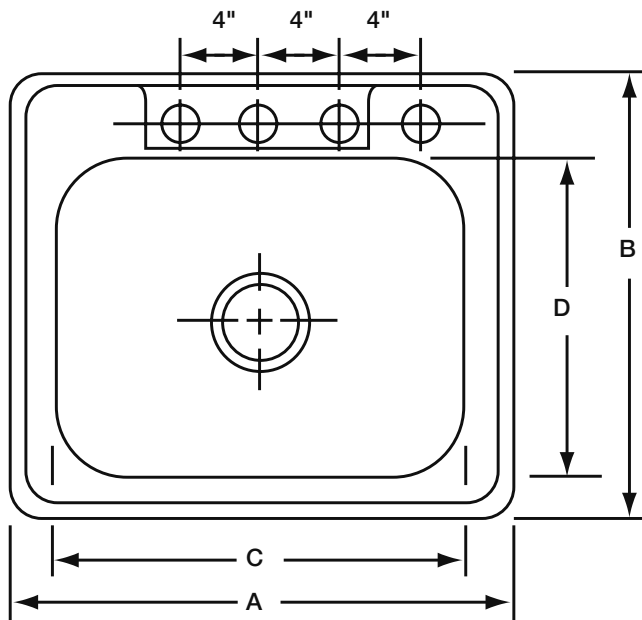
GL252283
GL252284

25X22X8 SGL BOWL SINK DI 20GA 3HL SS
25X22X8 SGL BOWL SINK DI 20GA 4HL SS

SINK DIMENSIONS (INCHES)*

Dimensions	Overall		Inside Bowl			Cutout in Countertop (1-1/2" (38mm) Radius Corners)	No. of 1-1/2" (38mm) Dia. Faucet Holes 4" (102mm) Center	Minimum Cabinet Size	
	L	W	L	W	D				L
25x22	A	B	C	D	E	L	W	3 or 4	30 (762mm)
	25 (635mm)	22 (559mm)	21 (533mm)	15-3/4 (400mm)	8-1/16 (206 mm)	24-3/8 (619mm)	21-3/8 (543mm)		

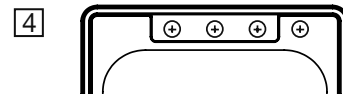
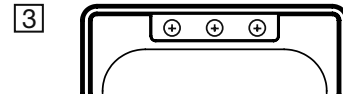
*Length is left to right. Width is front to back.

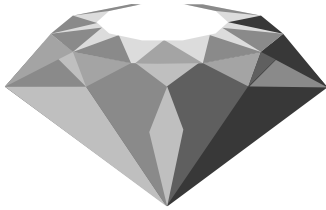


Bowl Depth is E

Hole Drilling Configurations

1-1/2" (38mm) Diameter Faucet Holes on 4" (102mm) Centers





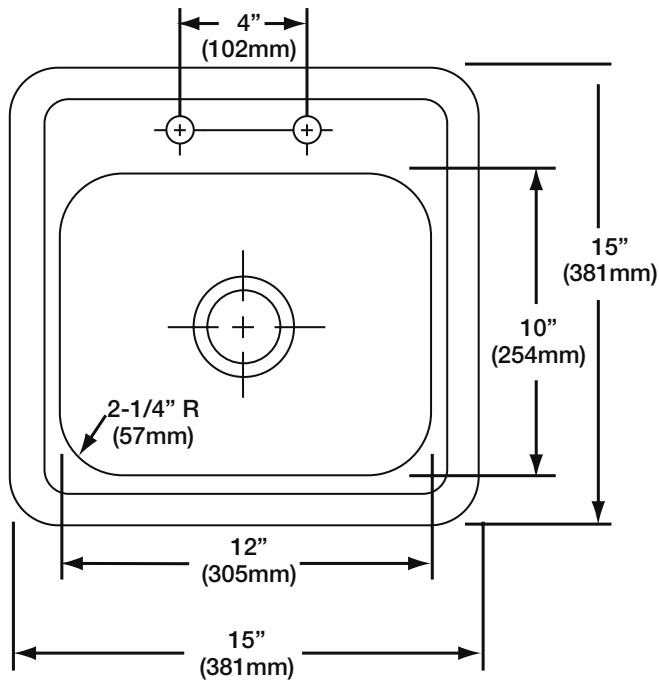
Stainless Steel Sinks

GL151552 | 15X15X5 SGL BAR SINK DI 23GA 2HL SS

SINK DIMENSIONS (INCHES)*

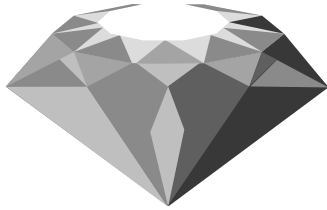
Dimensions	Overall		Inside Bowl			Cutout in Countertop (1-1/2" (38mm) Radius Corners)		No. of 1-1/2" (38mm) Dia. Faucet Holes 4" (102mm) Center	Minimum Cabinet Size
	L	W	L	W	D	L	W		
15x15	15 (381mm)	15 (381mm)	12 (305mm)	10 (254mm)	5-1/8 (130mm)	14-3/8 (365mm)	14-3/8 (365mm)	2	18 (457mm)

*Length is left to right. Width is front to back.



Bowl Depth is 5-1/8"





Stainless Steel Sinks

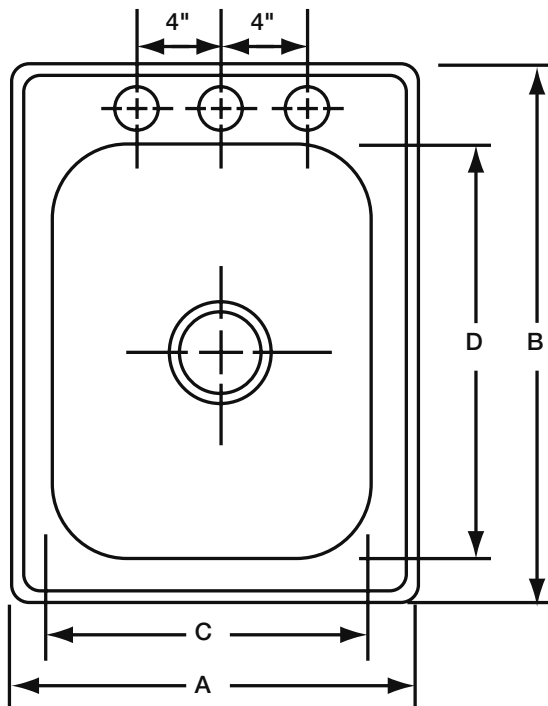
GL171961
GL171962
GL171963

17X19X6 SGL BAR SINK DI 22GA 1HL SS
 17X19X6 SGL BAR SINK DI 22GA 2HL SS
 17X19X6 SGL BAR SINK DI 22GA 3HL SS

SINK DIMENSIONS (INCHES)*

Dimensions	Overall		Inside Bowl			Cutout in Countertop (1-1/2" (38mm) Radius Corners)	No. of 1-1/2" (38mm) Dia. Faucet Holes 4" (102mm) Center	Minimum Cabinet Size
	L	W	L	W	D			
17x19	A	B	C	D	E			
	17 (432mm)	19 (483mm)	14 (356mm)	14 (356mm)	6-1/8 (156mm)	16-3/8 (416mm)	18-3/8 (467mm)	1, 2 or 3

*Length is left to right. Width is front to back.



Bowl Depth is E





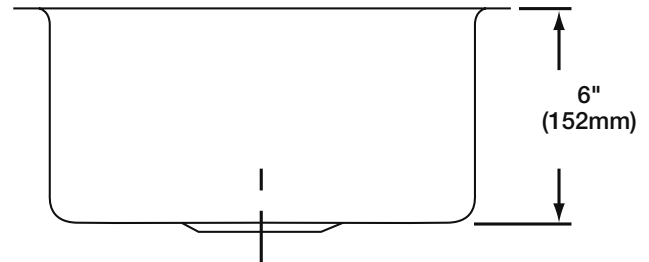
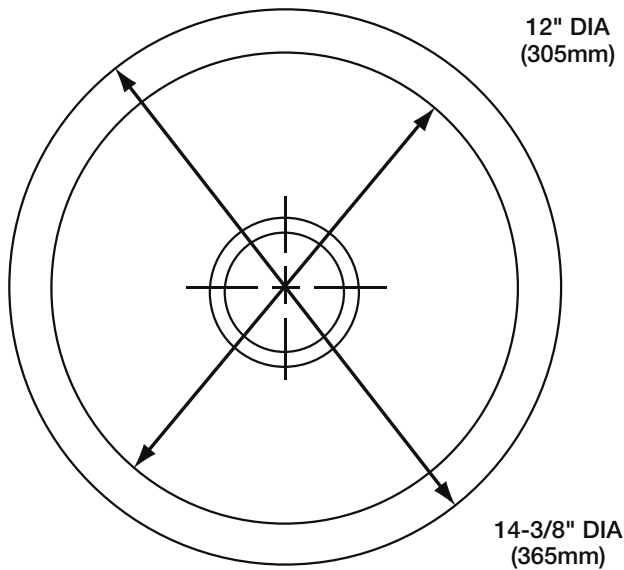
Stainless Steel Sinks

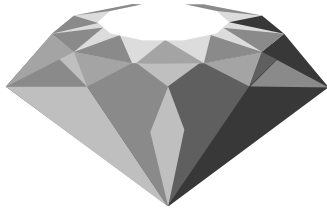
GLUR126 | 12X12X6 RD SGL BOWL UM 18GA SS

SINK DIMENSIONS (INCHES)*

Dimensions	Outside Diameter	Inside Diameter	Depth	Minimum Cabinet Size
12x6	14-3/8 (365mm)	12 (305mm)	6 (152mm)	18 (457mm)

*Length is left to right. Width is front to back.





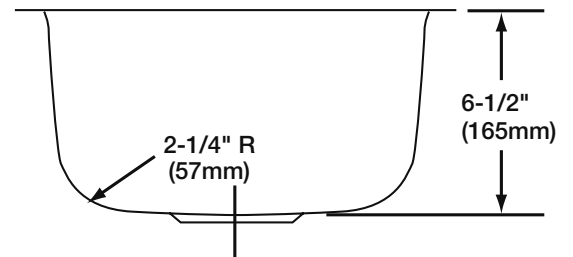
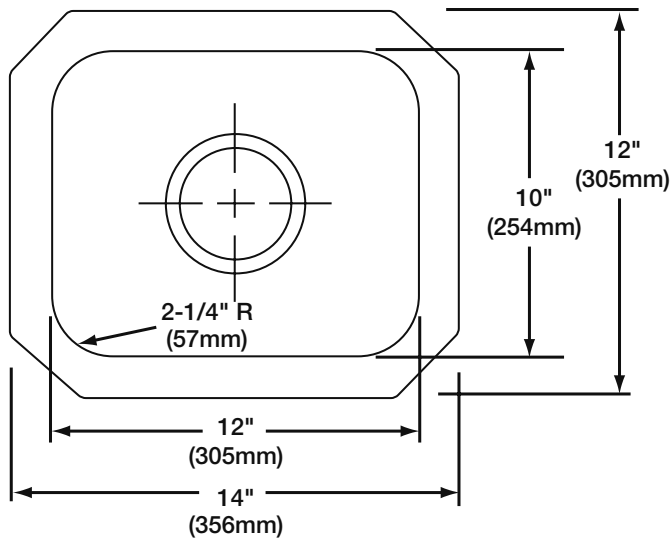
Stainless Steel Sinks

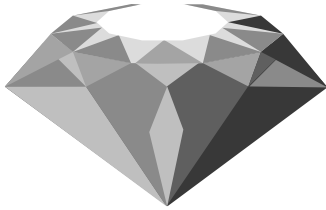
GLU121065 | 12X10X6.5 SGL BOWL UM 18GA SS

SINK DIMENSIONS (INCHES)*

Dimensions	Overall		Inside Bowl			Minimum Cabinet Size
	L	W	L	W	D	
12x10	14 (356mm)	12 (305mm)	12 (305mm)	10 (254mm)	6-1/2 (165mm)	18 (457mm)

*Length is left to right. Width is front to back.





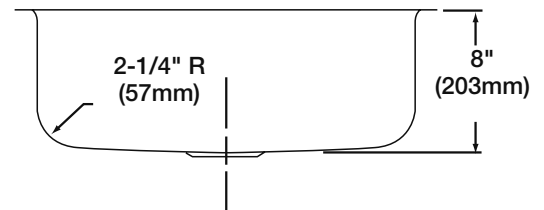
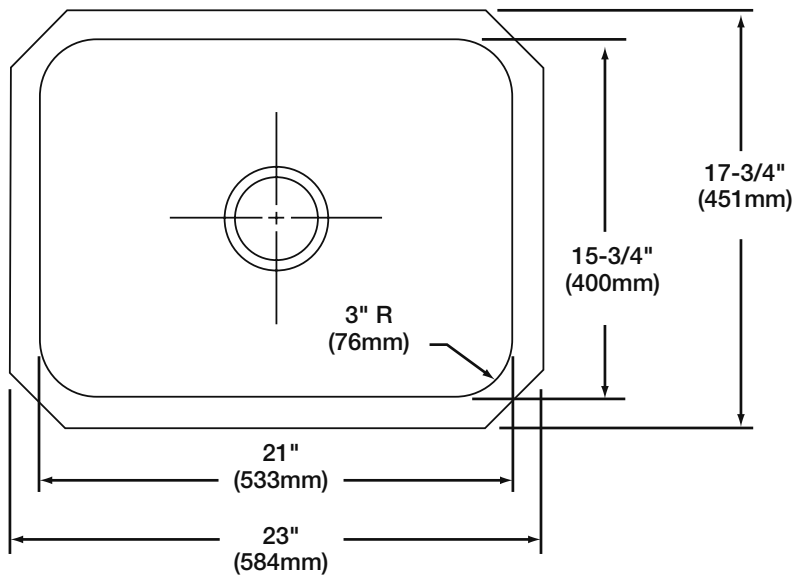
Stainless Steel Sinks

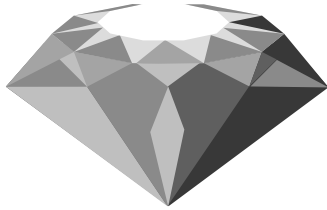
GLU21158 | 21X15X8 SGL BOWL UM 18GA SS

SINK DIMENSIONS (INCHES)*

Dimensions	Overall		Inside Bowl			Minimum Cabinet Size
	L	W	L	W	D	
21x15	23 (584mm)	17-3/4 (451mm)	21 (533mm)	15-3/4 (400mm)	8 (203mm)	27 (686mm)

*Length is left to right. Width is front to back.





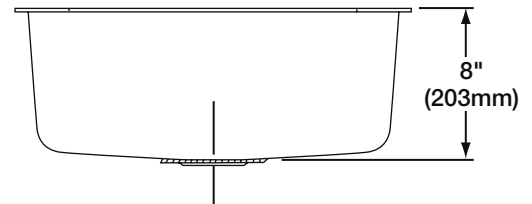
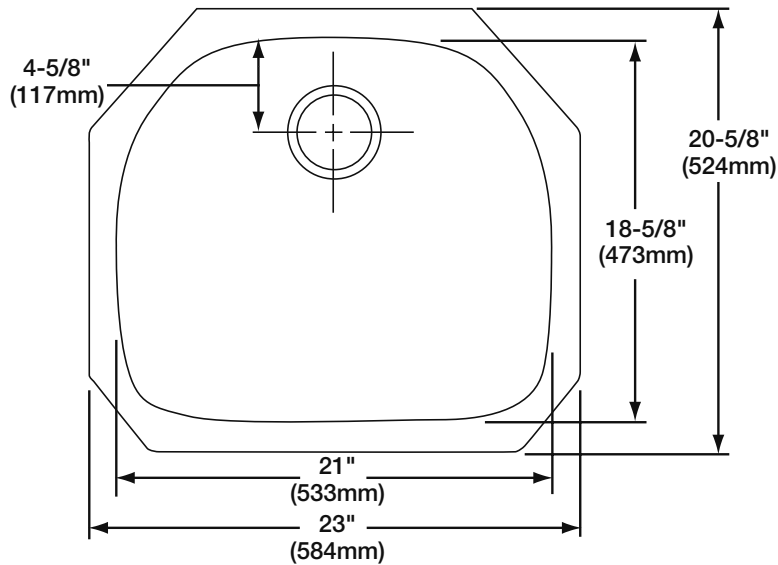
Stainless Steel Sinks

GLU21188 | 21X18X8 SGL BOWL UM 18GA SS

SINK DIMENSIONS (INCHES)*

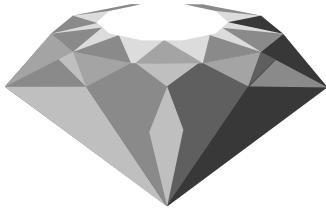
Dimensions	Overall		Inside Bowl			Minimum Cabinet Size
	L	W	L	W	D	
21x18	23 (584mm)	20-5/8 (524mm)	21 (533mm)	18-5/8 (473mm)	8 (203mm)	27 (686mm)

*Length is left to right. Width is front to back.



gemline





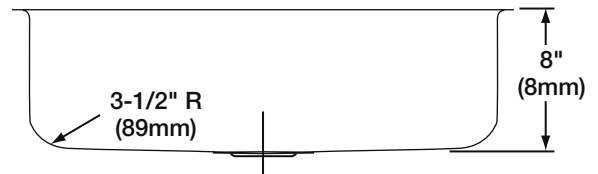
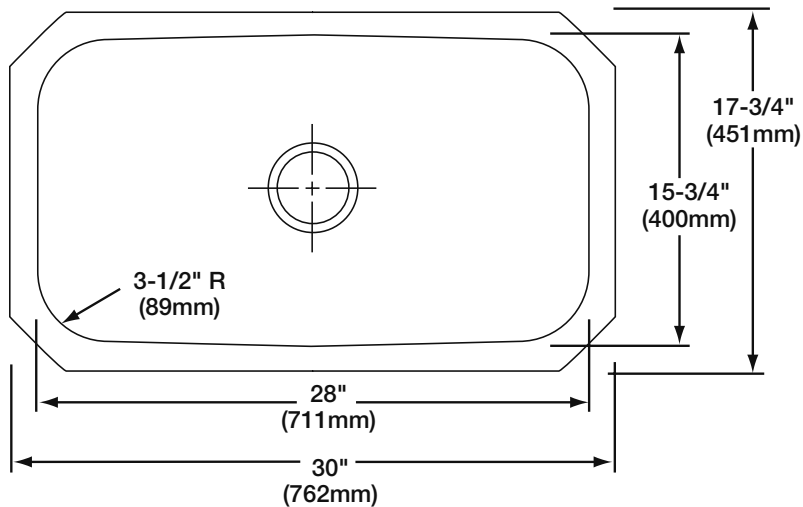
Stainless Steel Sinks

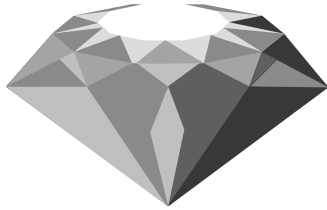
GLU28168 | 28X16X8 SGL BOWL UM 18GA SS

SINK DIMENSIONS (INCHES)*

Dimensions	Overall		Inside Bowl			Minimum Cabinet Size
	L	W	L	W	D	
28x16	30 (762mm)	17-3/4 (451mm)	28 (711mm)	15-3/4 (400mm)	8 (203mm)	33 (838mm)

*Length is left to right. Width is front to back.





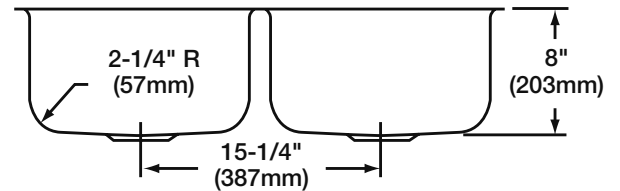
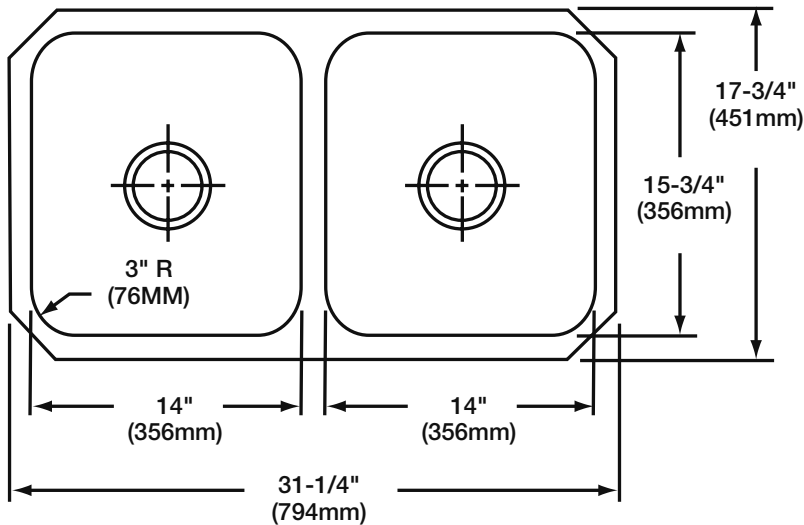
Stainless Steel Sinks

GLU31188 | 31X18X8 DBL UM BOWL 18GA SS

SINK DIMENSIONS (INCHES)*

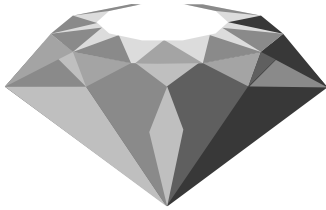
Dimensions	Overall		Inside Bowl			Minimum Cabinet Size
	L	W	L	W	D	
31x18	31-1/4 (794mm)	17-3/4 (451mm)	14 (356mm)	15-3/4 (400mm)	8 (203mm)	36 (914mm)

*Length is left to right. Width is front to back.



gemline





Stainless Steel Sinks

GLU31198L
GLU31198R

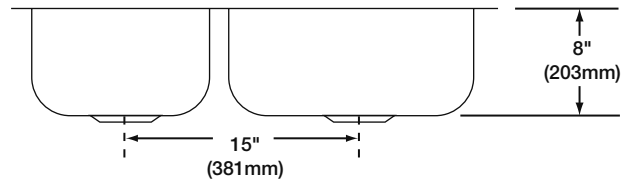
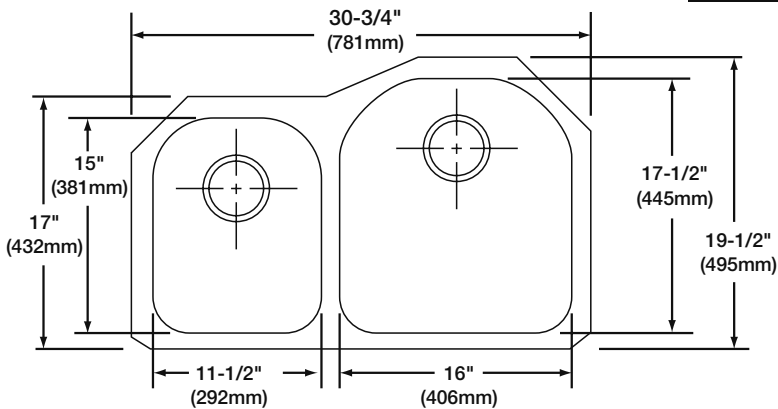
31X19X8 DBL UM BOWL 18GA SS LH
31X19X8 DBL UM BOWL 18GA SS RH

SINK DIMENSIONS (INCHES)*

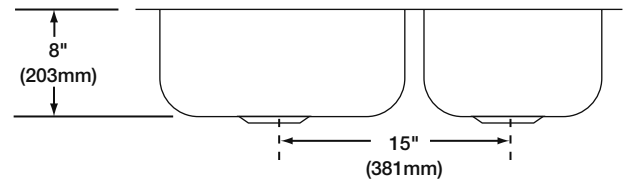
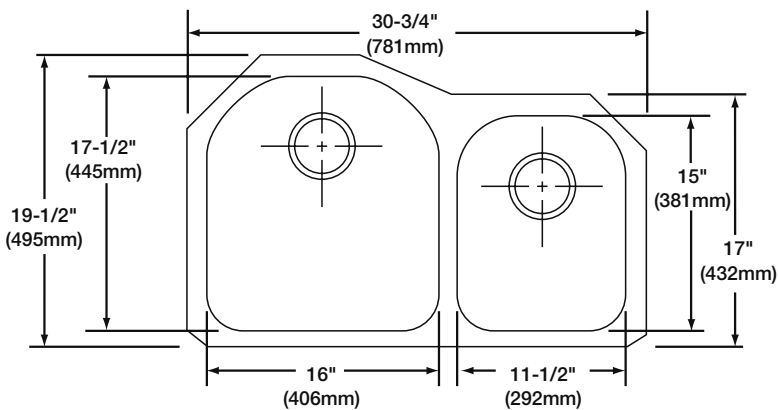
Dimensions	Overall		Inside Bowl			Inside Bowl			Minimum Cabinet Size
	L	W	L	W	D	L	W	D	
31x19 (left)	30-3/4	19-1/2	11-1/2	15	8	16	17-1/2	8	36 (914mm)
	(781mm)	(495mm)	(292mm)	(381mm)	(203mm)	(406mm)	(445mm)	(203mm)	
31x19 (right)	30-3/4	19-1/2	16	17-1/2	8	11-1/2	15	8	36 (914mm)
	(781mm)	(495mm)	(406mm)	(445mm)	(203mm)	(292mm)	(381mm)	(203mm)	

*Length is left to right. Width is front to back.

31x19 Left

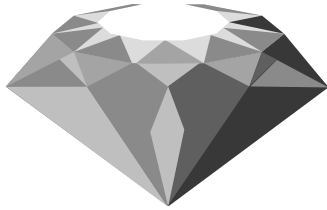


31x19 Right



gemline





Stainless Steel Sinks

GLU312010L
GLU312010R

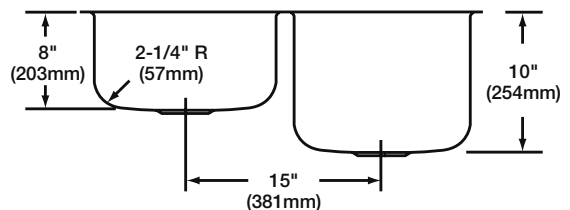
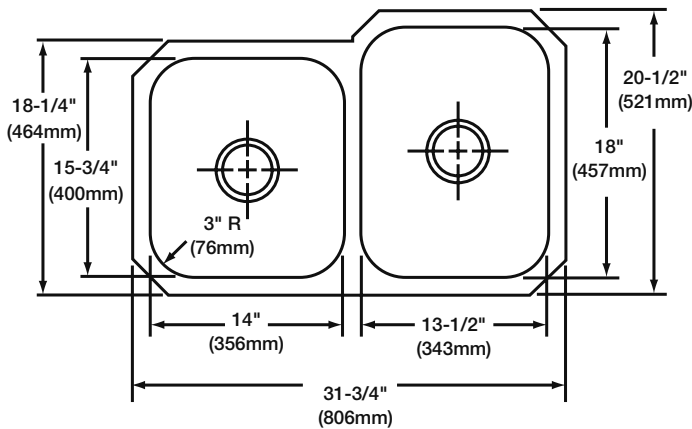
31X20X10 DBL UM BOWL 18GA SS LH
31X20X10 DBL UM BOWL 18GA SS RH

SINK DIMENSIONS (INCHES)*

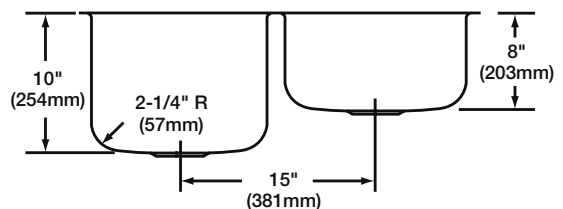
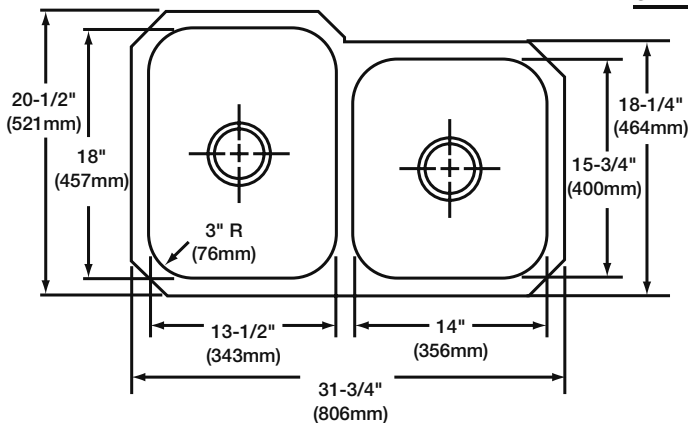
Dimensions	Overall		Inside Bowl			Inside Bowl			Minimum Cabinet Size
	L	W	L	W	D	L	W	D	
31x20 (left)	31-3/4	20-1/2	14	15-3/4	8	13-1/2	18	10	36 (914mm)
	(806mm)	(521mm)	(356mm)	(400mm)	(203mm)	(343mm)	(457mm)	(254mm)	
31x20 (right)	31-3/4	20-1/2	13-1/2	18	10	14	15-3/4	8	36 (914mm)
	(806mm)	(521mm)	(343mm)	(457mm)	(254mm)	(356mm)	(400mm)	(203mm)	

*Length is left to right. Width is front to back.

31x20 Left



31x20 Right



gemline





Stainless Steel Sinks

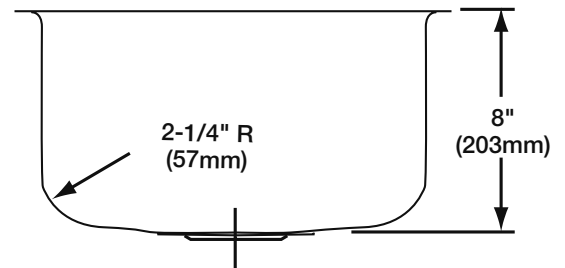
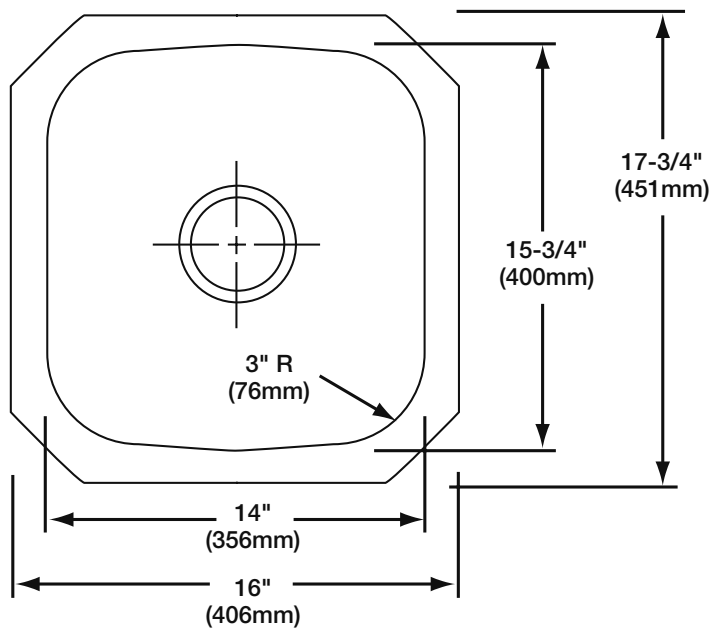
GLU16188

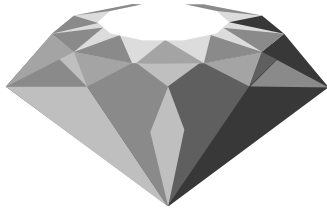
16X18X8 SGL BOWL UM 18GA SS

SINK DIMENSIONS (INCHES)*

Dimensions	Overall		Inside Bowl			Minimum Cabinet Size
	L	W	L	W	D	
16x18	16 (406mm)	17-3/4 (451mm)	14 (356mm)	15-3/4 (400mm)	8 (203mm)	21 (533mm)

*Length is left to right. Width is front to back.





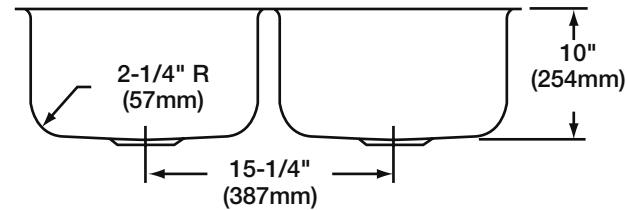
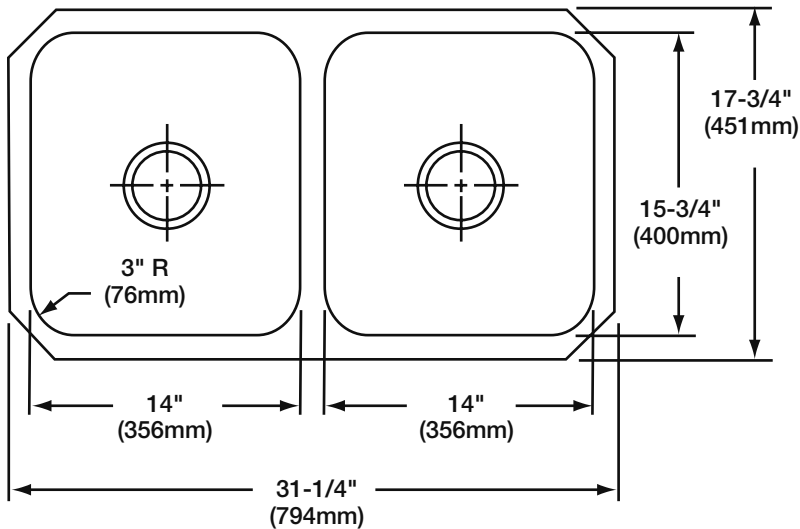
Stainless Steel Sinks

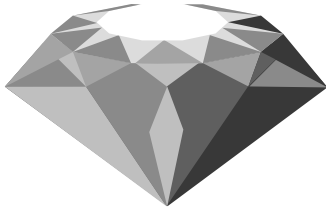
GLU311810 | 31X18X10 DBL BOWL UM 18GA SS

SINK DIMENSIONS (INCHES)*

Dimensions	Overall		Inside Bowl			Minimum Cabinet Size
	L	W	L	W	D	
31x18	31-1/4 (794mm)	17-3/4 (451mm)	14 (356mm)	15-3/4 (400mm)	10 (254mm)	36 (914mm)

*Length is left to right. Width is front to back.





Stainless Steel Sinks

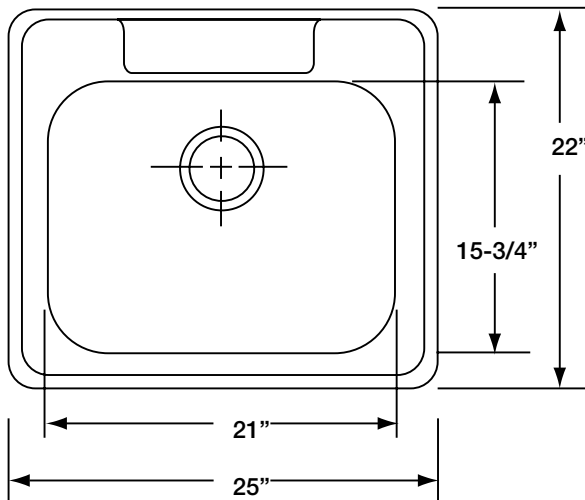
GLADA252253
GLADA252254

25x22x5-3/8 ADA SGL BOWL SINK DI 22GA 3HL SS
25x22x5-3/8 ADA SGL BOWL SINK DI 22GA 4HL SS

SINK DIMENSIONS (INCHES)*

Dimensions	Overall		Inside Bowl			Cutout in Countertop (1-1/2" (38mm) Radius Corners)	Number of Faucet Openings	Minimum Cabinet Size	
	L	W	L	W	D				L
25x22x5-3/8	A	B	C	D	E	L	W	3 or 4	30 (762mm)
	25 (635mm)	22 (559mm)	21 (533mm)	15-3/4 (400mm)	5-3/8 (137mm)	24-3/8 (619mm)	21-3/8 (543mm)		

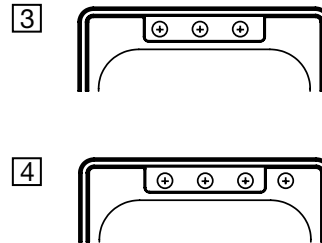
*Length is left to right. Width is front to back.

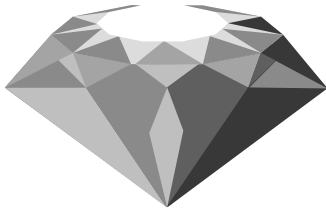


Bowl Depth is 5-3/8"

Hole Drilling Configurations

1-1/2" (38mm) Diameter Faucet Holes on 4" (102mm) Centers





Stainless Steel Sinks

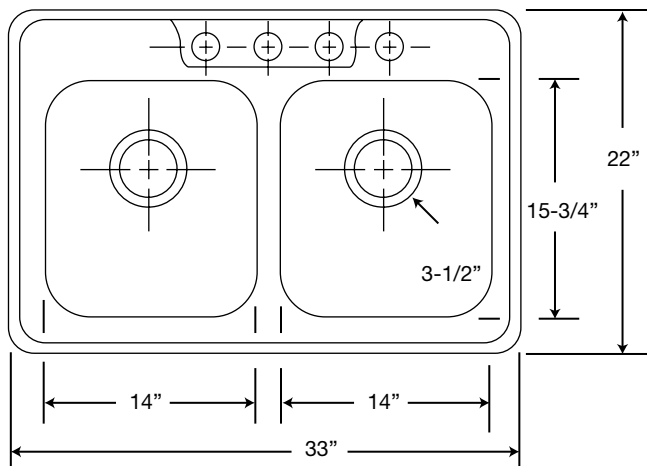
GLADA332253
GLADA332254

33x22x5-3/8 ADA DBL BOWL SINK DI 22GA 3HL SS
33x22x5-3/8 ADA DBL BOWL SINK DI 22GA 4HL SS

SINK DIMENSIONS (INCHES)*

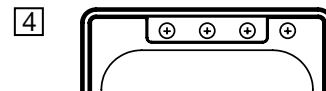
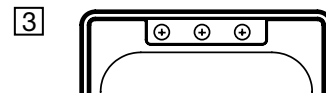
Dimensions	Overall		Inside Bowl			Cutout in Countertop (1-1/2"(38mm) Radius Corners)		Number of Faucet Openings	Ship Wt. Lbs.
	L	W	L	W	D	L	W		
33x22x5-3/8	33 (838mm)	22 (559mm)	14 (356mm)	15-3/4 (400mm)	5-3/8 (137mm)	32-3/8 (822mm)	21-3/8 (543mm)	3 or 4	12-1/2

*Length is left to right. Width is front to back.



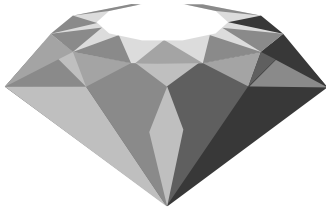
Hole Drilling Configurations

1-1/2" (38mm) Diameter Faucet Holes on 4" (102mm) Centers



gemline





Stainless Steel Sinks

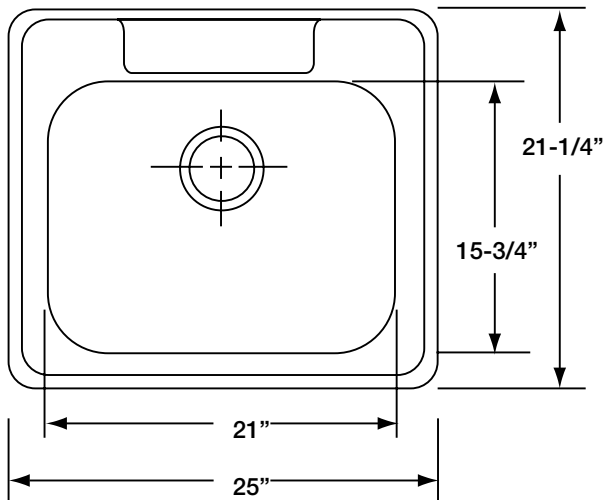
GLADA252153
GLADA252154

25x21-1/4x5-3/8 ADA SGL BOWL SINK DI 22GA 3HL SS
25x21-1/4x5-3/8 ADA SGL BOWL SINK DI 22GA 4HL SS

SINK DIMENSIONS (INCHES)*

Dimensions	Overall		Inside Bowl			Cutout in Countertop (1-1/2" (38mm) Radius Corners)		Number of Faucet Openings	Minimum Cabinet Size
	L	W	L	W	D	L	W		
25x21-1/4x5-3/8	A	B	C	D	E	L	W	3 or 4	30 (762mm)
	25 (635mm)	21-1/4 (559mm)	21 (533mm)	15-3/4 (400mm)	5-3/8 (137mm)	24-3/8 (619mm)	20-5/8 (543mm)		

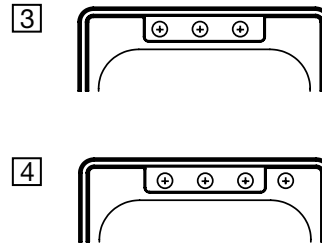
*Length is left to right. Width is front to back.



Bowl Depth is 5-3/8"

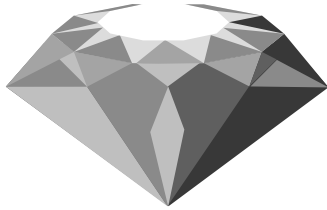
Hole Drilling Configurations

1-1/2" (38mm) Diameter Faucet Holes on 4" (102mm) Centers



gemline





Stainless Steel Sinks

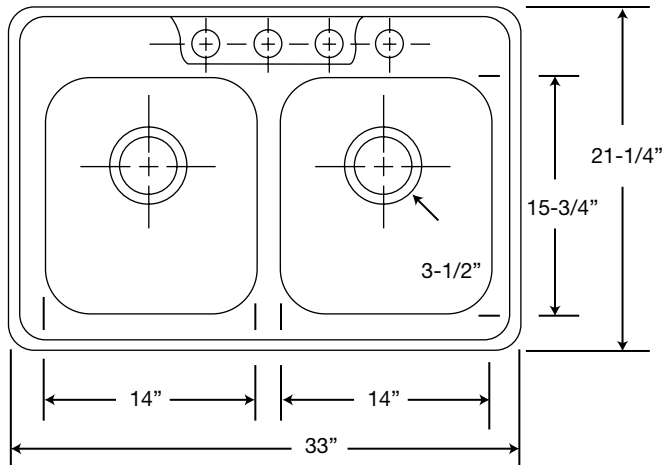
GLADA332153
GLADA332154

33x21-1/4x5-3/8 ADA DBL BOWL SINK DI 22GA 3HL SS
33x21-1/4x5-3/8 ADA DBL BOWL SINK DI 22GA 4HL SS

SINK DIMENSIONS (INCHES)*

Dimensions	Overall		Inside Bowl			Cutout in Countertop (1-1/2" (38mm) Radius Corners)		Number of Faucet Openings	Ship Wt. Lbs.
	L	W	L	W	D	L	W		
33x21-1/4x5-3/8	33 (838mm)	21-1/4 (559mm)	14 (356mm)	15-3/4 (400mm)	5-3/8 (137mm)	32-3/8 (822mm)	20-5/8 (543mm)	3 or 4	12-1/2

*Length is left to right. Width is front to back.



Hole Drilling Configurations

1-1/2" (38mm) Diameter Faucet Holes on 4" (102mm) Centers

